

ELECTRICITY GENERATING AUTHORITY OF THAILAND

Supplemental Notice No. 1

Invitation to Bid No. RTS2-TX-03

Supply of 25 MVA 115 kV Power Transformer

Transmission System Expansion and Renovation Project Phase 2

The attached Supplemental Notice shall be considered as part of the bidding documents No. RTS2-TX-03.

As acknowledgement of receipt that all additions, deletions and revisions contained in this Supplemental Notice are incorporated into the above bidding documents, Bidder is requested to sign and return this acknowledgement via email address : 598265@egat.co.th within three (3) days from the date of the announcement of this Supplemental Notice on <http://www4.egat.co.th/fprocurement/biddingeng/>.

The original acknowledgement which is manually signed in ink by a person or persons duly authorized shall be included in the proposal to be submitted on the bid opening date.

ELECTRICITY GENERATING AUTHORITY OF THAILAND

October 24, 2023

ACKNOWLEDGEMENT

This undersigned Bidder hereby certifies that the additions, deletions and revisions set forth in this Supplemental Notice to Invitation to Bid No. RTS2-TX-03 are incorporated as part of the above bidding documents and will be fully included in any bids which he may submit.

Signed _____

Title _____

Company _____

Date _____

ELECTRICITY GENERATING AUTHORITY OF THAILAND

SUPPLEMENTAL NOTICE NO. 1

INVITATION TO BID NO. RTS2-TX-03

SUPPLY OF 25 MVA 115 kV POWER TRANSFORMER

TRANSMISSION SYSTEM EXPANSION AND
RENOVATION PROJECT PHASE 2

The following supplemental information is hereby given for the above described Invitation:

1. Section A : Invitation to Bid

Postpone the bid opening date from November 2, 2023 to ***November 16, 2023.***

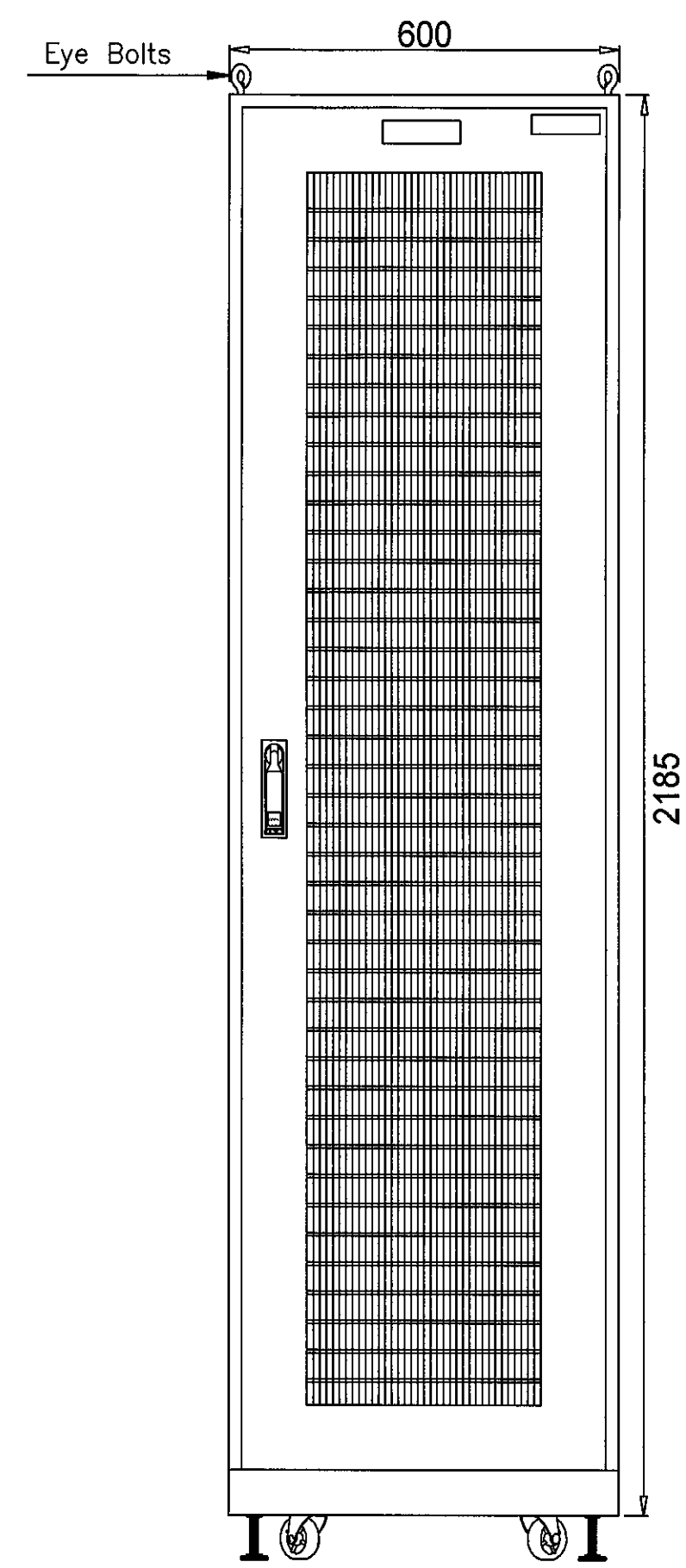
2. Section J : Drawings

Add the attached Drawing No. TP-E-10.19 Sheet - Rev.1 to the end of this section.

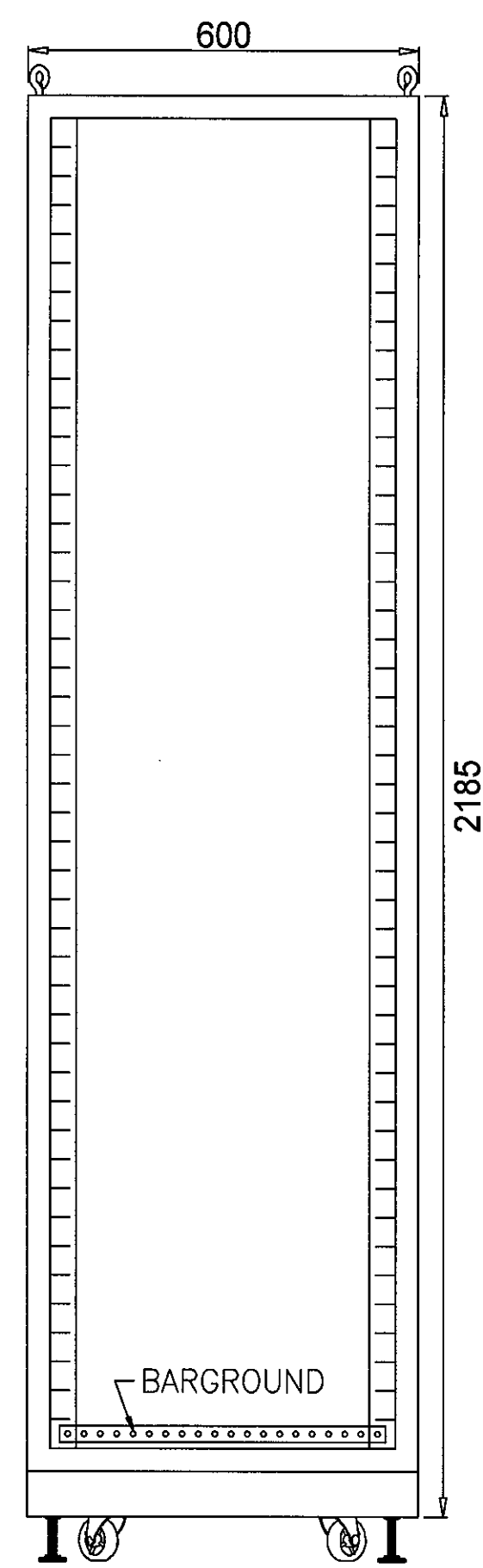
Bid submitted must be in accordance with this Notice. Receipt of this Notice shall be acknowledged by the Bidder on the proposal included in the Bidding Documents in the space provided on page C3, Article C-7 Supplemental Notices.

ELECTRICITY GENERATING
AUTHORITY OF THAILAND

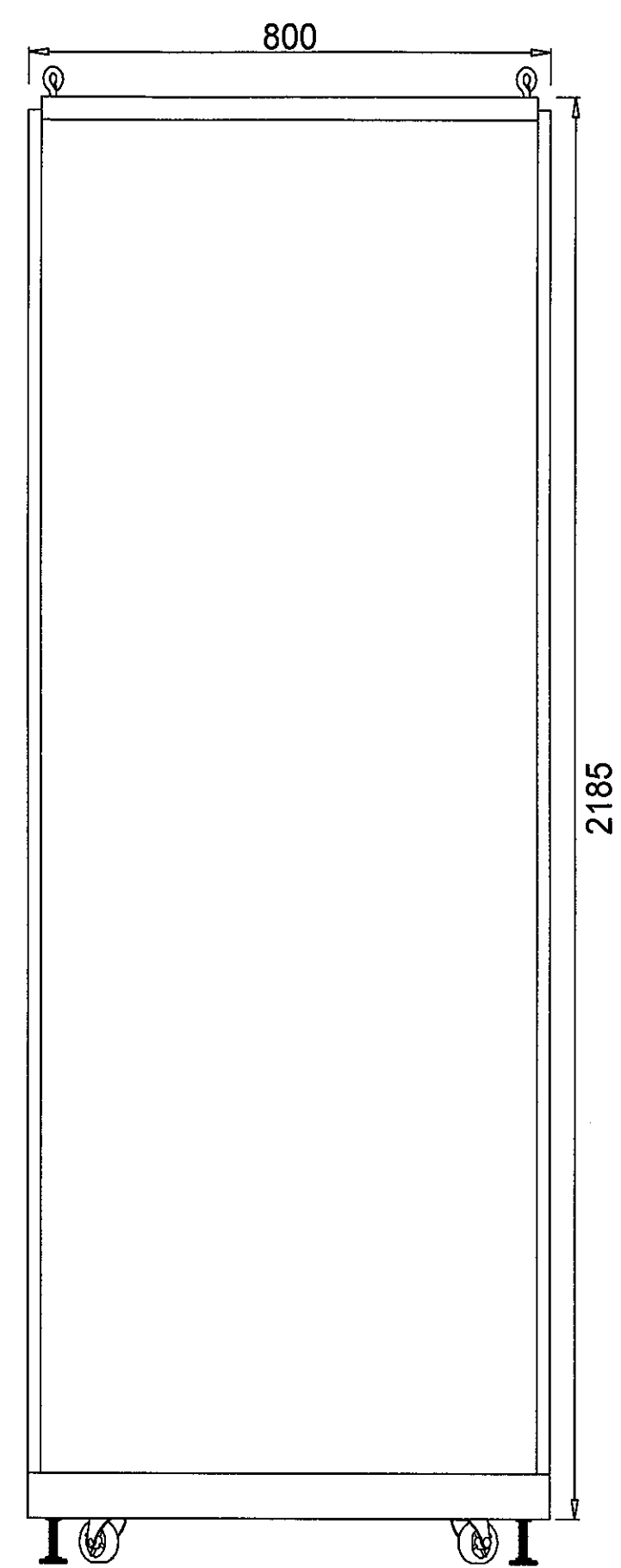
.....October 24....., 2023.....



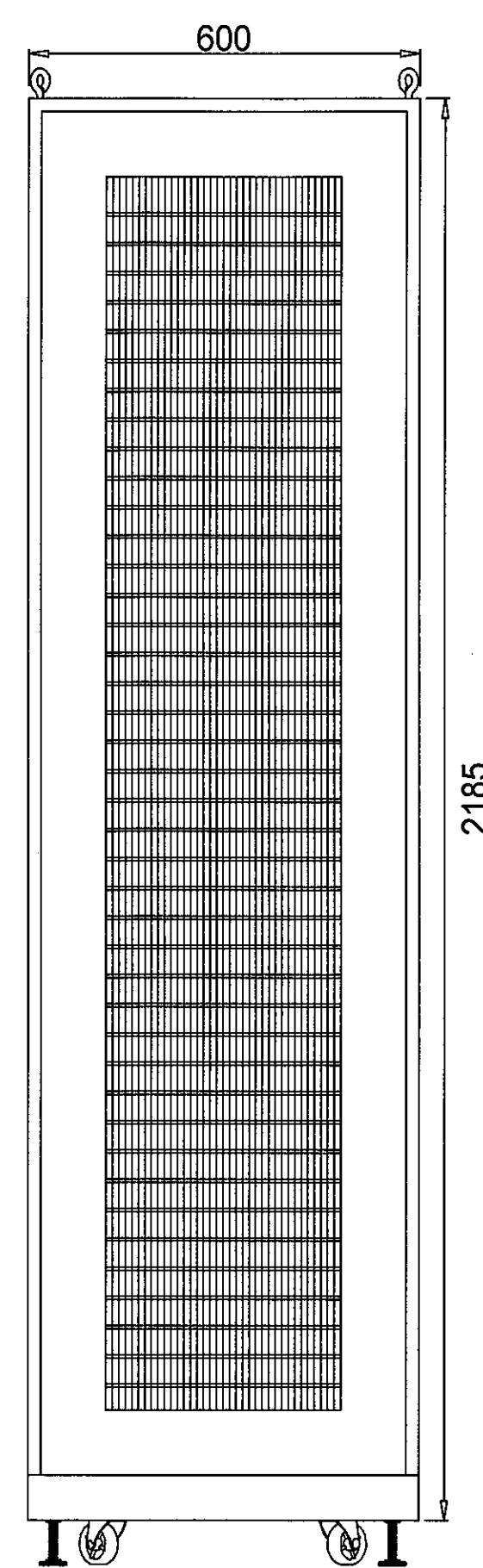
FRONT VIEW



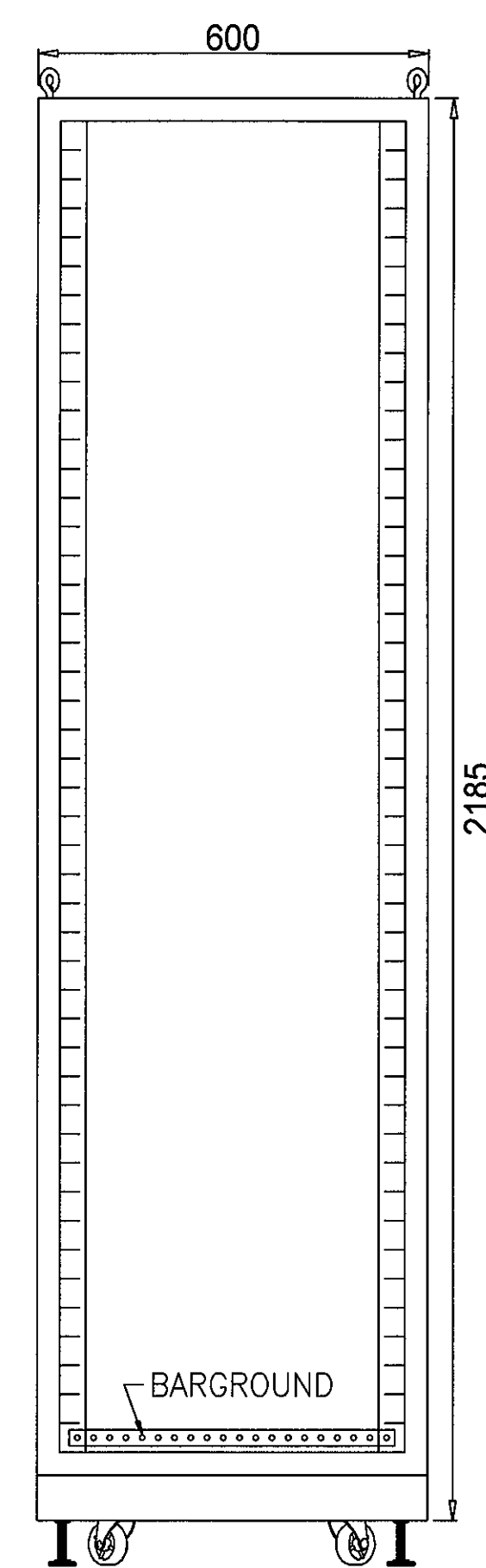
FRONT VIEW WITH OUT DOOR



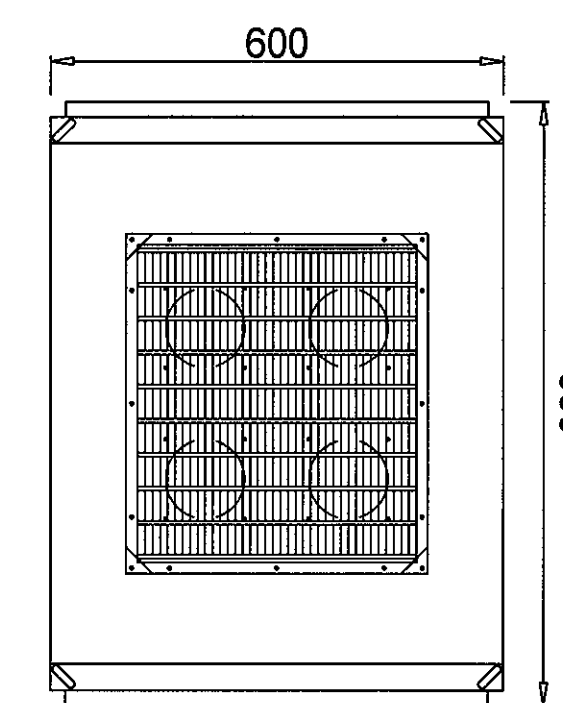
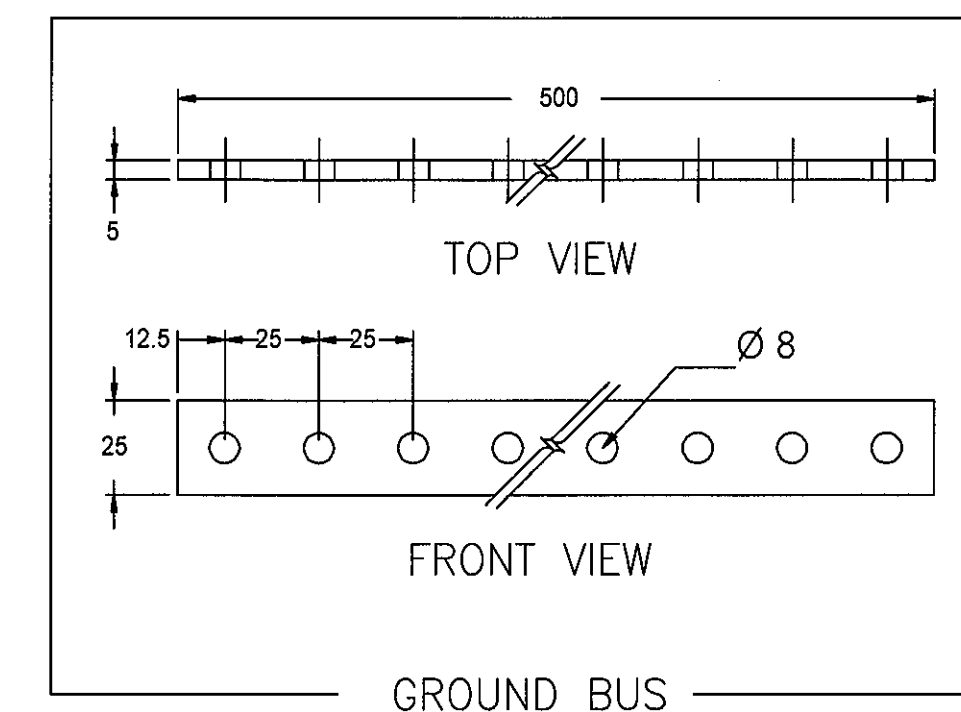
SIDE VIEW



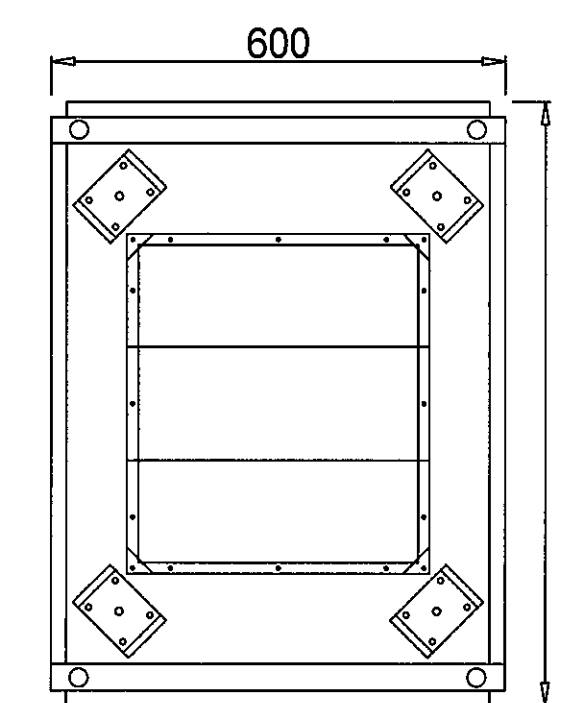
REAR VIEW



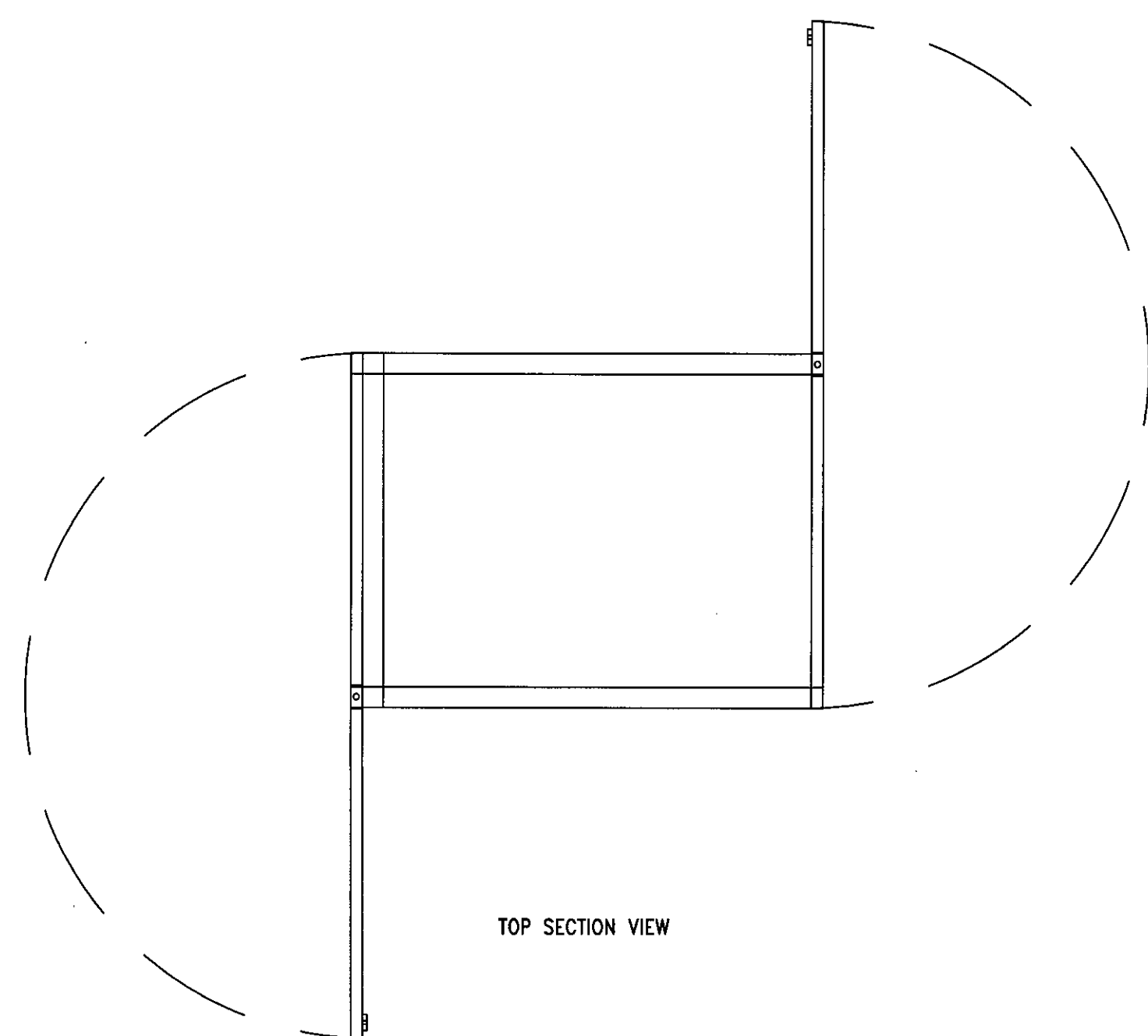
REAR VIEW WITHOUT DOOR



TOP VIEW



BOTTOM VIEW



ENLARGED VIEW OF EQUIPMENT LAY-OUT E1 CONVERTER PANEL

NOTES

- PANEL SHALL BE DESIGNED AND MANUFACTURED ACCORDING TO THE STANDARD OF ANSI/EIA-310D-1992 [Rev.EIA-310C] IEC 60297-1, IEC 60297-2, BS 5954 PART 2, DIN 41494.
- THE SUITABLE VENTILATION FANS SHALL BE MOUNTED INSIDE PANEL AT THE TOP. THE AC SOCKET STRIPS SHALL ALSO BE SUFFICIENTLY PROVIDED FOR USE.

REFERENCES

- SPECIFICATION NO.1008 "NETWORK DEVICE CABINET"/SPECIFICATION NO.1002/SPECIFICATION NO.1005

CABINET NO. W1
MIN NO. 0010

ELECTRICITY GENERATING AUTHORITY OF THAILAND

DRAWN	P.ACHITAPOL	VALIDATED	CHIEF, CONTROL AND PROTECTION, SYSTEM ENGINEERING DEPARTMENT	DRAWING NAME	TYPICAL DRAWING
DESIGNED	P.ACHITAPOL	RECOMMENDED	ASSISTANT DIRECTOR, TRANSMISSION SYSTEM ENGINEERING DIVISION	DESCRIPTION OF DETAIL DRAWING	PANEL CONSTRUCTION OF BLANK 19" RACK
VERIFIED	[Signature]	CONCURRED	DIRECTOR, TRANSMISSION SYSTEM ENGINEERING DIVISION	JOB NO.	REPLACING DWG. NO.
APPROVED	[Signature]	DATE	08 SEP 2555	DWG. NO.	TP-E-10.19
ASSISTANT GOVERNOR - TRANSMISSION SYSTEM DEVELOPMENT					

ISO 9001
TSE-TSP-2008

CAD CENTER
DO NOT AMEND MANUALLY

Filename
Date

REV. NO.	JOB NO.	JOB DESCRIPTION	DRAWN	DESIGNED	VERIFIED	VALIDATED	RECOMMENDED	CONCURRED	APPROVED	DATE
1	-	REVISE PANEL CONSTRUCTION OF BLANK 19" RACK	P.ACHITAPOL	P.ACHITAPOL	-	-	-	-	-	-
-	-	PANEL CONSTRUCTION OF BLANK 19" RACK	P.PIYAWAT	P.PIYAWAT	-	-	-	-	-	-