

ELECTRICITY GENERATING AUTHORITY OF THAILAND

**Supplemental Notice No. 2**

**Invitation to Bid No. TS12-S-26(R)**

**Supply and Construction of 230/115 kV Ban Bueng 2 Substation (GIS),  
Improvement of 115 kV Ban Bueng Substation, and  
Supply of Control and Protection Equipment for 230 kV Bo Win Substation**

**Transmission System Expansion Project No. 12**

**Two-Envelope (Pre-Qualification)**

---

The attached Supplemental Notice shall be considered as part of the bidding documents No. TS12-S-26(R).

As acknowledgement of receipt that all additions, deletions and revisions contained in this Supplemental Notice are incorporated into the above bidding documents, Bidder is requested to sign and return this acknowledgement via email address : [thana.kir@egat.co.th](mailto:thana.kir@egat.co.th) within three (3) days from the date of the announcement of this Supplemental Notice on <http://www4.egat.co.th/fprocurement/biddingeng/>.

The original acknowledgement which is manually signed in ink by a person or persons duly authorized shall be included in the proposal to be submitted on the bid opening date.

ELECTRICITY GENERATING AUTHORITY OF THAILAND

.....March 12, 2024.....

ACKNOWLEDGEMENT

This undersigned Bidder hereby certifies that the additions, deletions and revisions set forth in this Supplemental Notice to Invitation to Bid No. TS12-S-26(R) are incorporated as part of the above bidding documents and will be fully included in any bids which he may submit.

Signed \_\_\_\_\_

Title \_\_\_\_\_

Company \_\_\_\_\_

Date \_\_\_\_\_

## ELECTRICITY GENERATING AUTHORITY OF THAILAND

## SUPPLEMENTAL NOTICE NO. 2

## INVITATION TO BID NO. TS12-S-26(R)

SUPPLY AND CONSTRUCTION OF 230/115 kV BAN BUENG 2 SUBSTATION  
(GIS), IMPROVEMENT OF 115 kV BAN BUENG SUBSTATION, AND SUPPLY OF  
CONTROL AND PROTECTION EQUIPMENT FOR 230 kV BO WIN SUBSTATION  
TRANSMISSION SYSTEM EXPANSION PROJECT NO.12

The following supplemental information is hereby given for the above described Invitation:

**Volume I of IV**

## 1. Section A : Invitation to Bid

Postpone the price and technical proposals submission date from March 26, 2024 to ***April 4, 2024***.

**Volume IV of IV**

## 2. Section L : Drawings

2.1 Delete the Dwg No. TP-E-20.1 sh.- Rev.2.

2.2 Add the attached Dwg No. TP-E-4.2 sh.01/01 Rev.6 to the end of this section.

Bid submitted must be in accordance with this Notice. Receipt of this Notice shall be acknowledged by the Bidder on the proposal included in the Bidding Documents in the space provided on page Part 3 - C19, Article C-5 Supplemental Notices.

ELECTRICITY GENERATING  
AUTHORITY OF THAILAND

.....March 12, 2024.....

AC DISTRIBUTION BOARD NAMEPLATE LIST

DC DISTRIBUTION BOARD NAMEPLATE LIST (TYPE M1)

DC DISTRIBUTION BOARD NAMEPLATE LIST (TYPE M2)

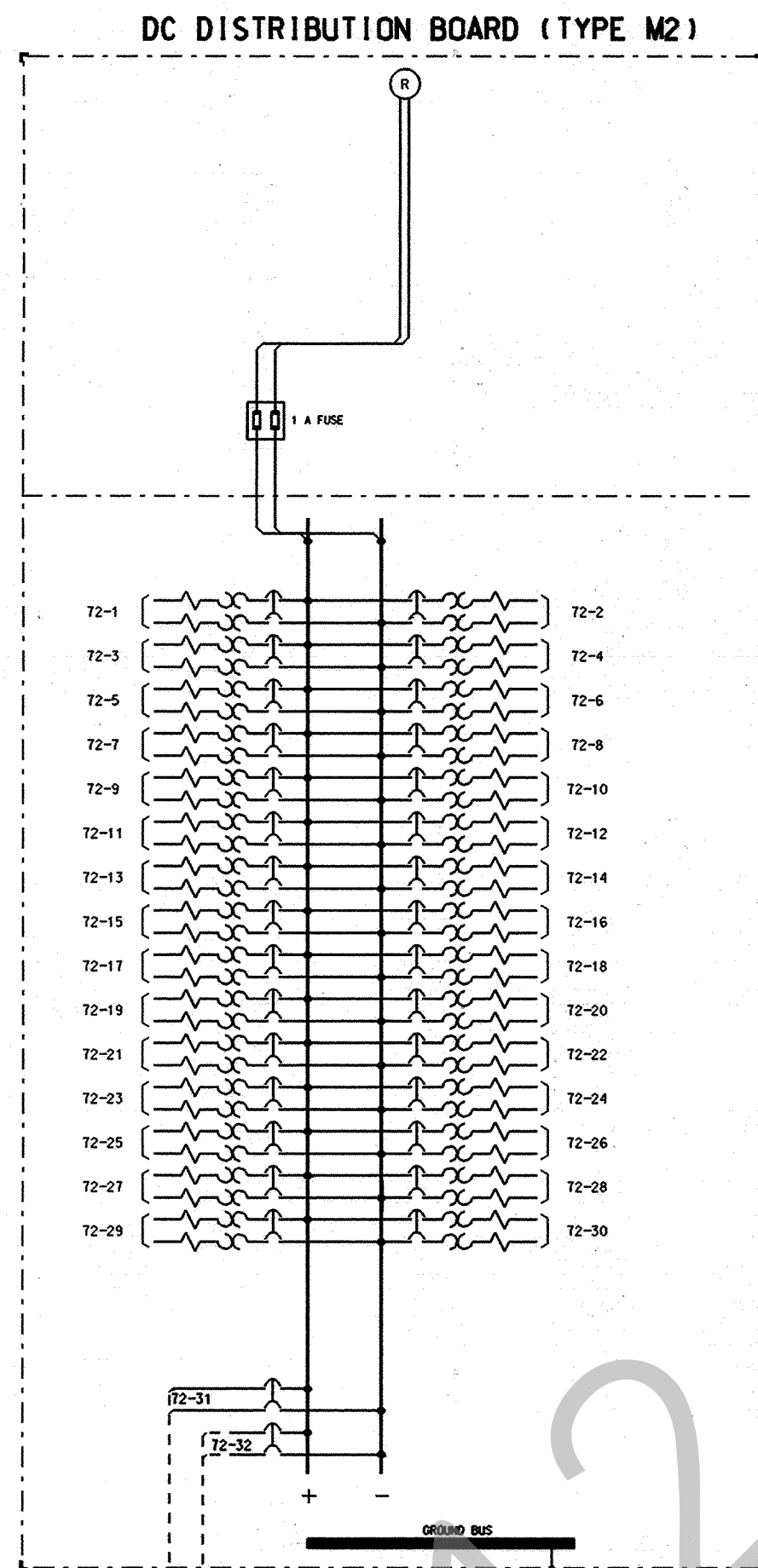
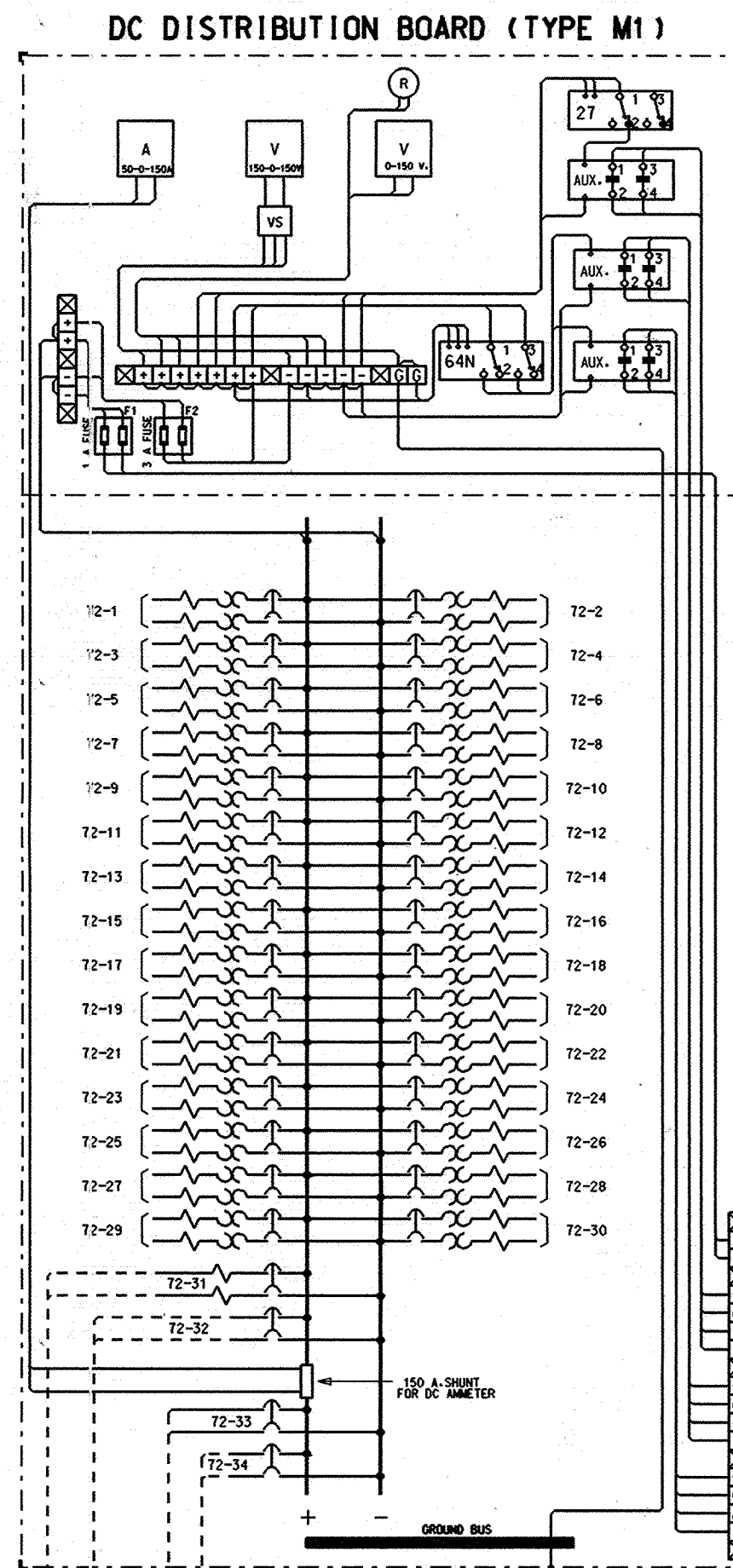
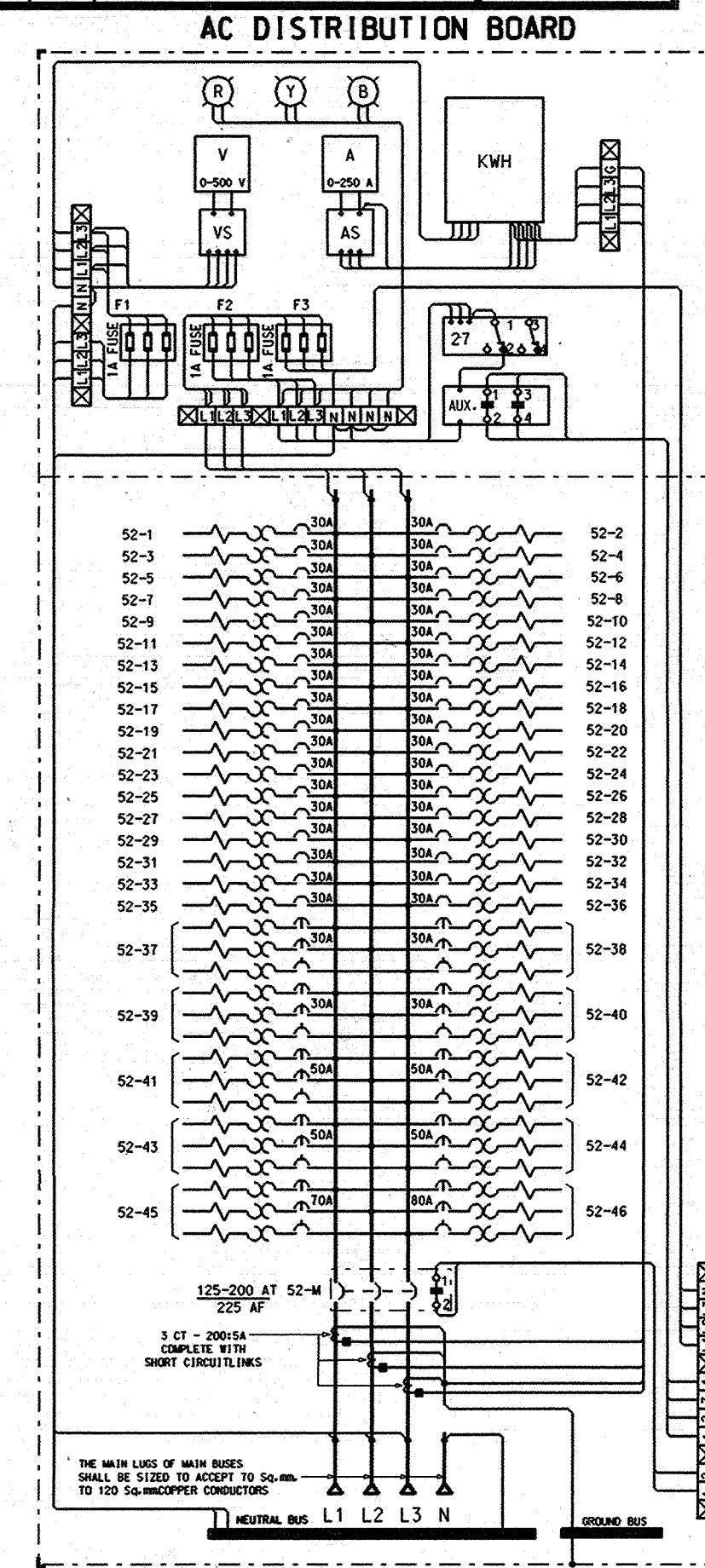
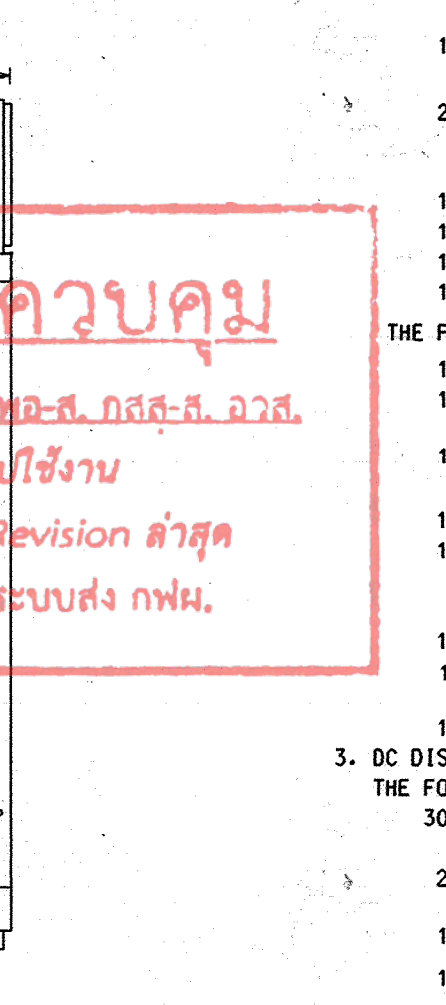
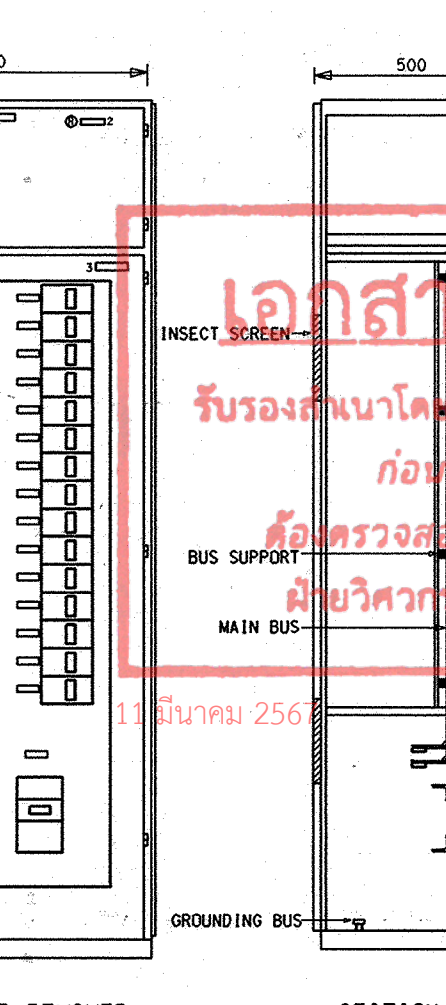
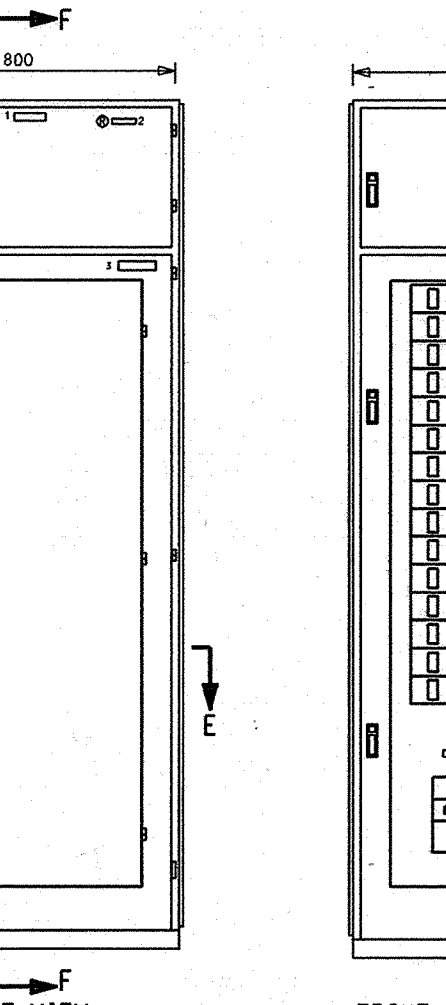
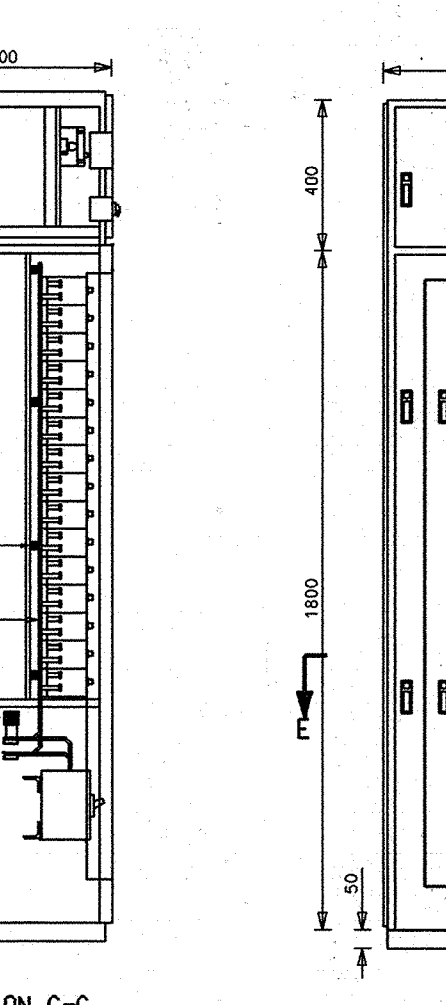
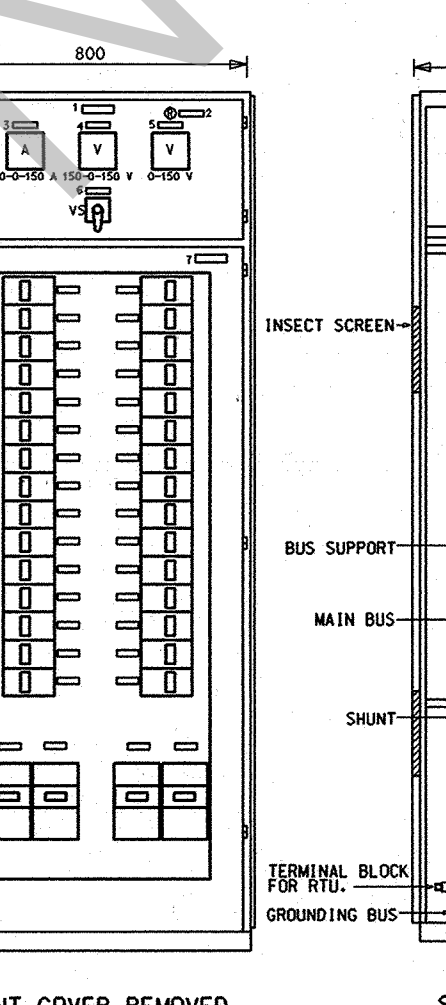
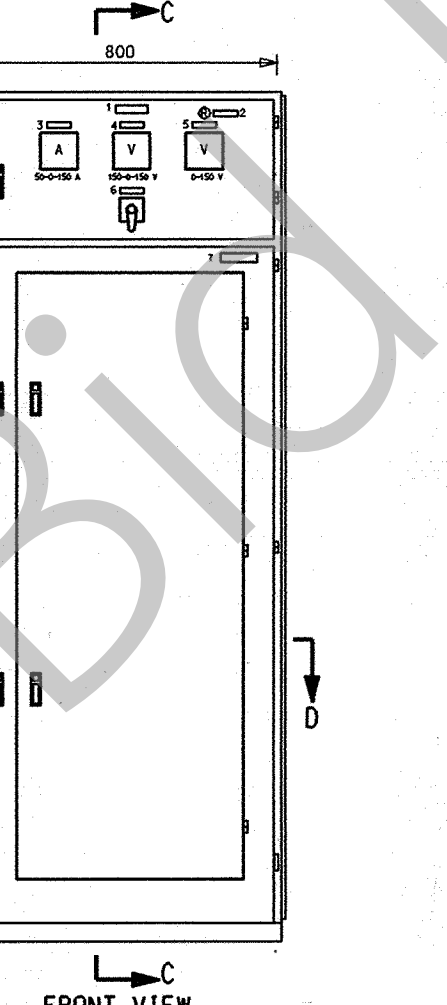
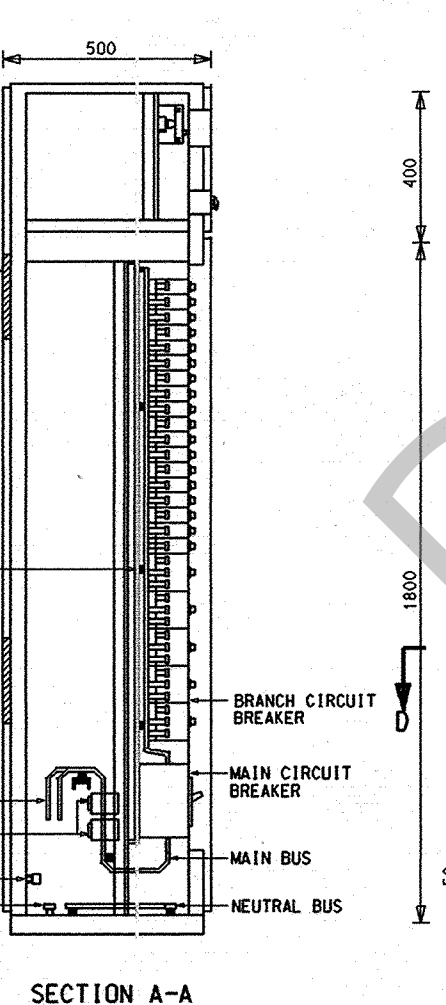
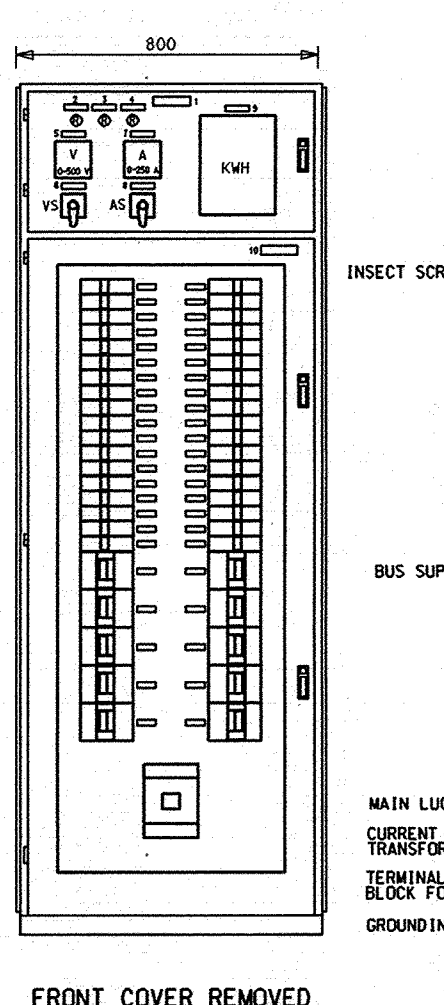
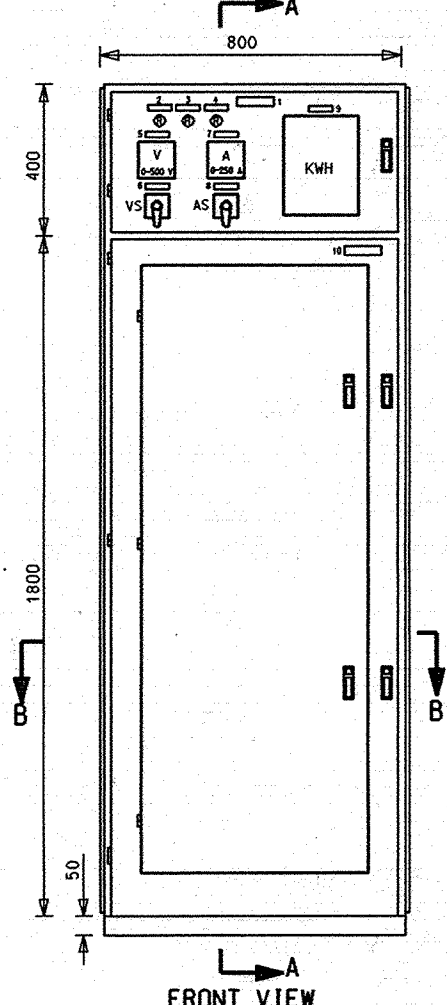
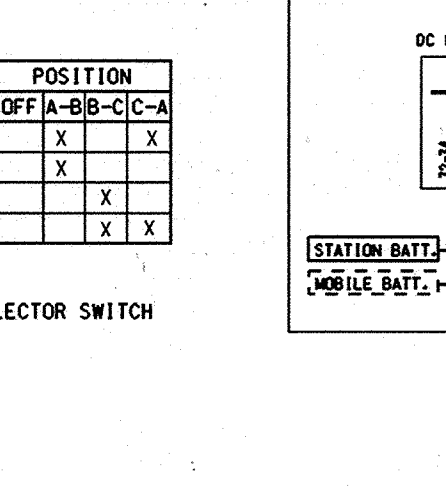
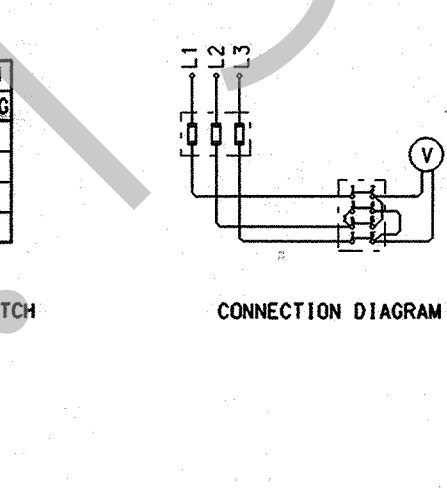
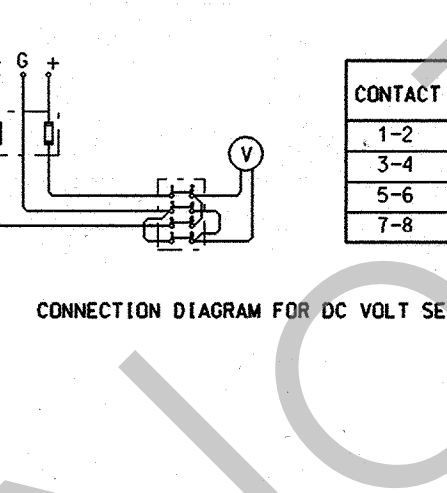
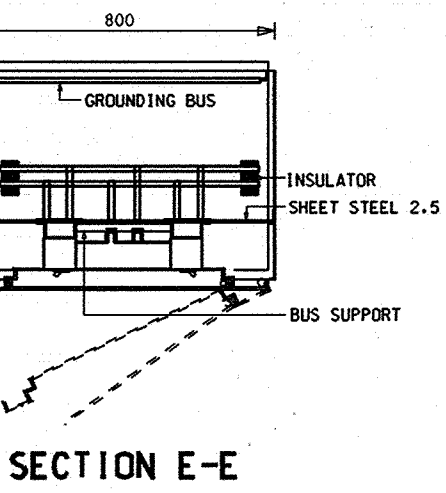
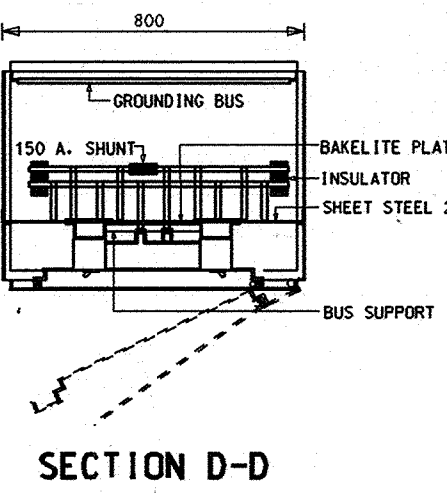
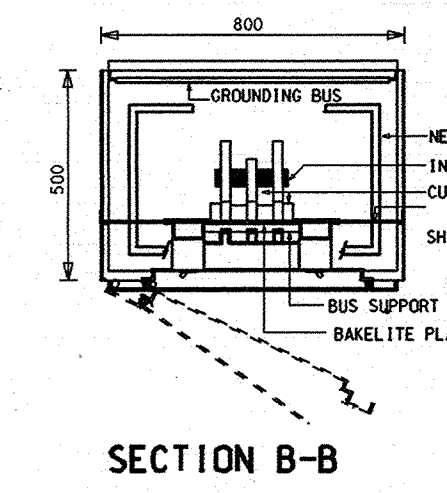


Table with 5 columns: ITEM NO., POLE, NAMEPLATE DESCRIPTION (FIRST LINE, SECOND LINE), THERMAL TRIP, FIG. NO.

Table with 5 columns: ITEM NO., POLE, NAMEPLATE DESCRIPTION (FIRST LINE, SECOND LINE), THERMAL TRIP, FIG. NO.

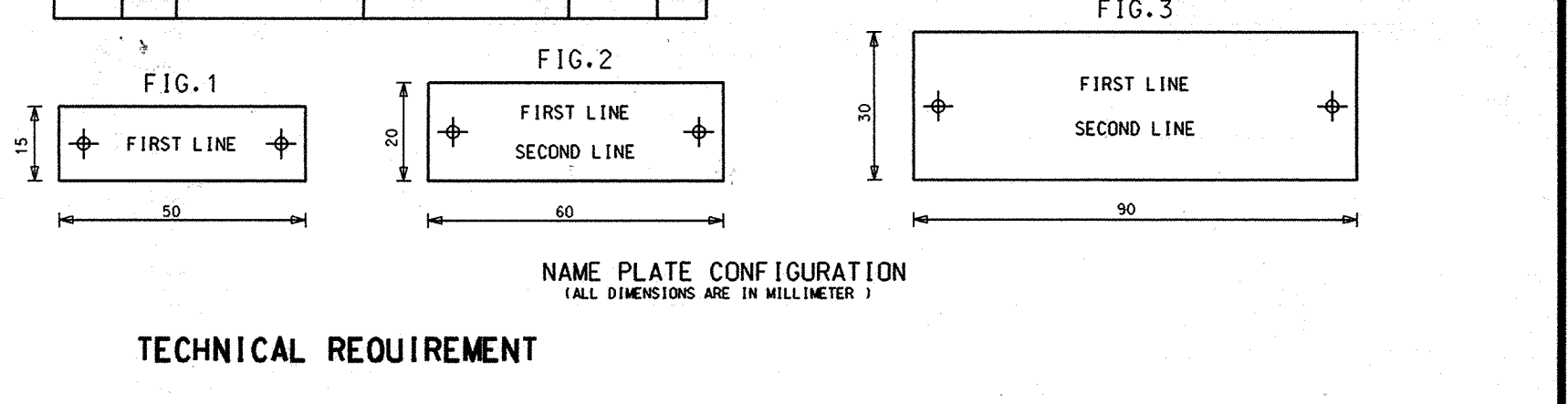
Table with 5 columns: ITEM NO., POLE, NAMEPLATE DESCRIPTION (FIRST LINE, SECOND LINE), THERMAL TRIP, FIG. NO.



AC DISTRIBUTION BOARD (NOT TO SCALE)

DC DISTRIBUTION BOARD (TYPE M1) (NOT TO SCALE)

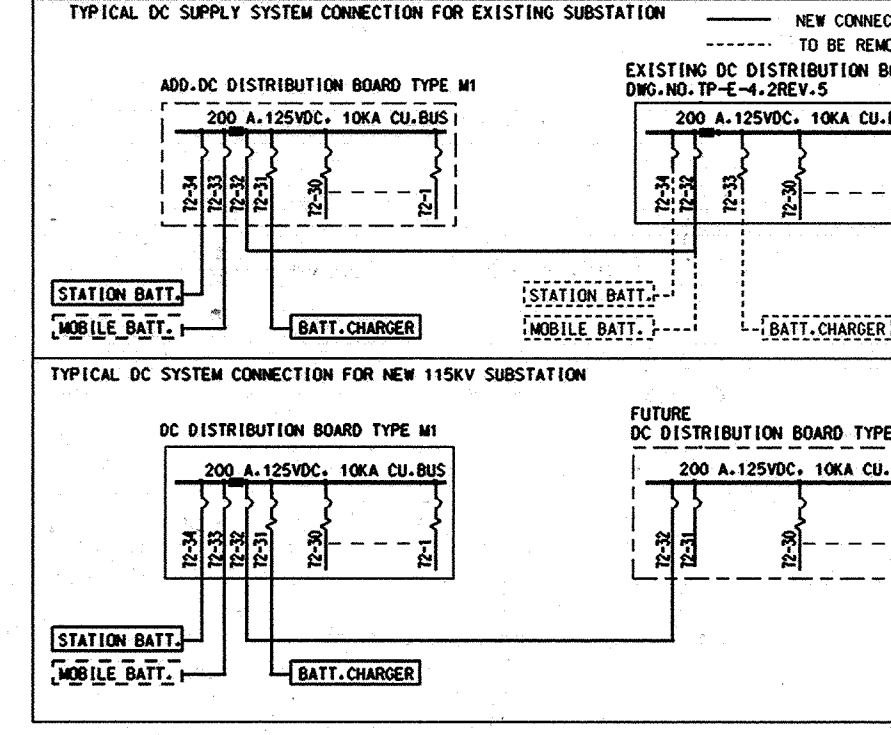
DC DISTRIBUTION BOARD (TYPE M2) (NOT TO SCALE)



NAME PLATE CONFIGURATION (ALL DIMENSIONS ARE IN MILLIMETER)

TECHNICAL REQUIREMENT

- 1. AC DISTRIBUTION BOARD EQUIPMENT THE FOLLOWING EQUIPMENT SHALL BE FURNISHED AND MOUNTED WITHIN THE AC DISTRIBUTION BOARD: 36 - SINGLE POLES 100 A. FRAME MOLDED CASE CIRCUIT BREAKERS...



ELECTRICITY GENERATING AUTHORITY OF THAILAND. DRAWING: STANDARD DRAWING. STATION SERVICE DISTRIBUTION BOARD (TYPE M)